



# 2R-III

## THE STRONG, THE PROUD

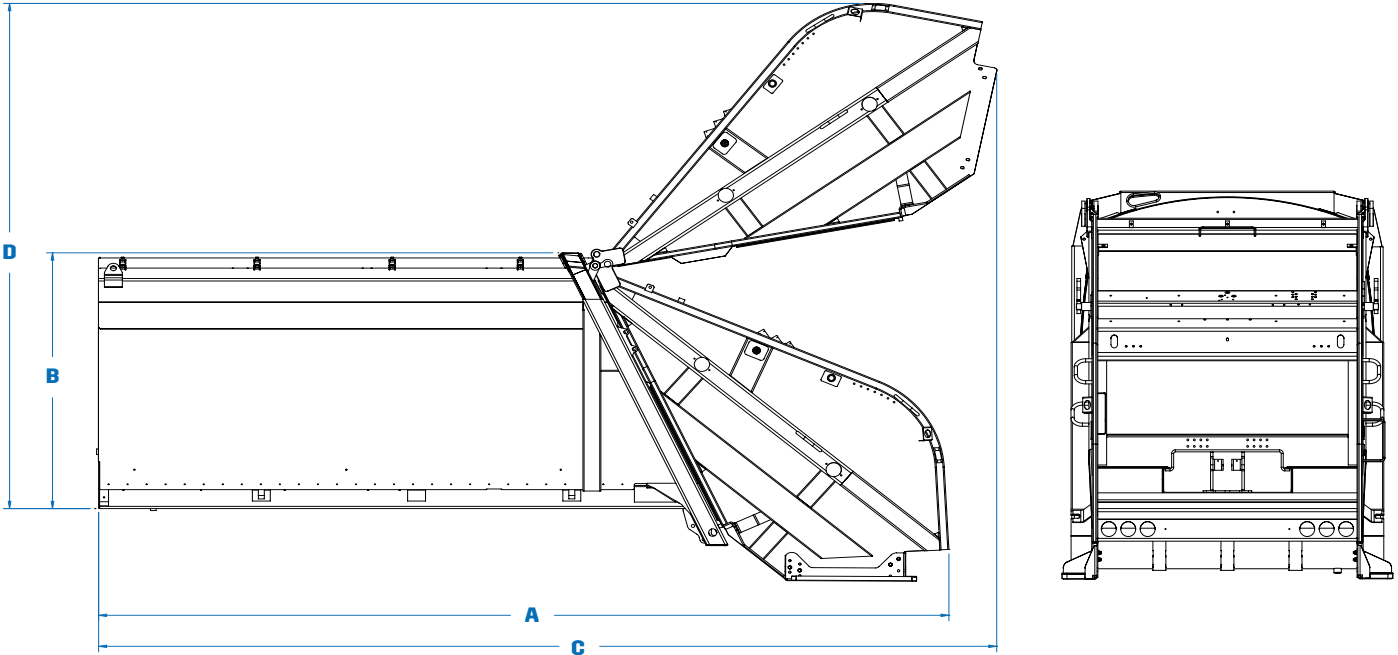
- 20 yd<sup>3</sup> to 32 yd<sup>3</sup> body sizes
- Up to 1000 lbs/yd<sup>3</sup> compaction
- Largest hopper sweep in the industry with 5.5" bore packer/carrier cylinders
- Low load sill height of 4-5/8" below frame
- Single piece body walls for increased strength and seamless appearance
- Residential, Commercial, and Demolition packages available
- Hopper shape minimizes pre-compaction, reducing wear and maximizing payload
- Packer and Carrier Slide Shoes with Chromium overlay extend service life and reduce maintenance points
- Fully Integrated Labrie CNG System – roof, frame and back of cab mount – 50 to 100 DGE available

| Body Specs                              | 2R-III HD Residential    | 2R-III HD Demolition                                    | 2R-III HD Commercial                                    |
|-----------------------------------------|--------------------------|---------------------------------------------------------|---------------------------------------------------------|
| Body Trough Floor                       | 5/16" 50W 50,000psi      | 5/16" 50W 50,000psi                                     | 5/16" 50W 50,000psi                                     |
| Body Sides                              | 10ga A1011 80,000psi     | 10ga A1011 80,000psi                                    | 10ga A1011 80,000psi                                    |
| Body Roof                               | 10ga A1011 80,000psi     | 10ga A1011 80,000psi                                    | 10ga A1011 80,000psi                                    |
| Body Ramp Liners                        | -                        | 1/4" A715 GR80 80,000psi (AR 450, 175,000 psi optional) | 1/4" A715 GR80 80,000psi (AR 450, 175,000 psi optional) |
| Body Roof Liner (Body Rear End)         | -                        | -                                                       | 10ga A1011 80,000psi                                    |
| Body Sides Liners (Body Rear End)       | -                        | -                                                       | 10ga A1011 80,000psi                                    |
| Ejector Specs                           | 2R-III HD Residential    | 2R-III HD Demolition                                    | 2R-III HD Commercial                                    |
| Ejector Panel Face Plate                | 3/16" 50W 50,000psi      | 3/16" 50W 50,000psi                                     | 3/16" 50W 50,000psi                                     |
| Packer-Carrier Specs                    | 2R-III HD Residential    | 2R-III HD Demolition                                    | 2R-III HD Commercial                                    |
| Compaction ratio (lbs/yd <sup>3</sup> ) | 1000                     | 1000                                                    | 1000                                                    |
| Packer Panel Face Plate                 | 1/4" A656 GR80 80,000psi | 1/4" A656 GR80 80,000psi                                | 1/4" A656 GR80 80,000psi, liner 1/4" 50W 50,000psi      |
| Carrier Panel Face Plate                | 3/16" 50W 50,000psi      | 3/16" 50W 50,000psi                                     | 3/16" 50W 50,000psi, liner 3/16" 50W 50,000psi          |
| Hydraulic Specs                         | 2R-III HD Residential    | 2R-III HD Demolition                                    | 2R-III HD Commercial                                    |
| Pump                                    | Gear                     | Gear                                                    | Gear                                                    |
| Pump Capacity                           | 42 gpm @ 1200 rpm        | 42 gpm @ 1200 rpm                                       | 42 gpm @ 1200 rpm                                       |
| Max. Operating Pressure                 | 2,300 psi                | 2,300 psi                                               | 2,300 psi                                               |
| Oil Reservoir                           | 50 gal                   | 50 gal                                                  | 50 gal                                                  |

Note: Specifications subject to change without notice

| Hopper Specs                                | 2R-III HD Residential                                | 2R-III HD Demolition                                 | 2R-III HD Commercial                                    |
|---------------------------------------------|------------------------------------------------------|------------------------------------------------------|---------------------------------------------------------|
| Hopper Size (yd <sup>3</sup> )              | 3.5                                                  | 3.5                                                  | 3.5                                                     |
| Hopper Opening Width                        | 80"                                                  | 80"                                                  | 80"                                                     |
| Hopper Opening Height                       | 57"                                                  | 57"                                                  | 57"                                                     |
| Hopper Depth                                | 18"                                                  | 18"                                                  | 18"                                                     |
| Loading Sill Below Chassis Frame            | 4-5/8"                                               | 4-5/8"                                               | 4-5/8"                                                  |
| Hopper Floor                                | 1/4" 100QT 100,000psi (AR 450, 175,000 psi optional) | 1/2" 100QT 100,000psi (AR 450, 175,000 psi optional) | 1/2" 100QT 100,000psi, front liner 1/4" A514 100,000psi |
| Hopper Sides (upper)                        | 1/4" 50W 50,000psi (AR 450, 175,000 psi optional)    | 1/4" 50W 50,000psi (AR 450, 175,000 psi optional)    | 1/4" 50W 50,000psi                                      |
| Hopper Sides (lower)                        | 1/4" 50W 50,000psi (AR 450, 175,000 psi optional)    | 1/4" 50W 50,000psi (AR 450, 175,000 psi optional)    | 1/2" 50W 50,000psi                                      |
| Cylinder Specs                              | 2R-III HD Residential                                | 2R-III HD Demolition                                 | 2R-III HD Commercial                                    |
| Ejector Cylinder (20yd <sup>3</sup> bodies) | 3 stages 6-1/2" bore x 94-3/16" stroke               | 3 stages 6-1/2" bore x 94-3/16" stroke               | -                                                       |
| Ejector Cylinder (25yd <sup>3</sup> bodies) | 3 stages 6-1/2" bore x 115-9/16" stroke              | 3 stages 6-1/2" bore x 115-9/16" stroke              | 3 stages 6-1/2" bore x 115-9/16" stroke                 |
| Ejector Cylinder (29yd <sup>3</sup> bodies) | 4 stages 6-1/2" bore x 148-1/4" stroke               | 4 stages 6-1/2" bore x 148-1/4" stroke               | 4 stages 6-1/2" bore x 148-1/4" stroke                  |
| Ejector Cylinder (32yd <sup>3</sup> bodies) | 5 stages 7-1/2" bore x 170-5/16" stroke              | 5 stages 7-1/2" bore x 170-5/16" stroke              | 5 stages 7-1/2" bore x 170-5/16" stroke                 |
| Packer Cylinders                            | 5-1/2" bore x 4-1/2" rod x 30-5/16" stroke           | 5-1/2" bore x 4-1/2" rod x 30-5/16" stroke           | 5-1/2" bore x 4-1/2" rod x 30-5/16" stroke              |
| Carrier Cylinders                           | 5-1/2" bore x 4-1/2" rod x 30-5/16" stroke           | 5-1/2" bore x 4-1/2" rod x 30-5/16" stroke           | 5-1/2" bore x 4-1/2" rod x 30-5/16" stroke              |
| Tailgate Cylinders                          | 4" bore x 3-1/2" rod x 32-11/16" stroke              | 4" bore x 3-1/2" rod x 32-11/16" stroke              | 4" bore x 3-1/2" rod x 32-11/16" stroke                 |





| <b>Body Dimensions</b>                               | 20yd <sup>3</sup> | 25yd <sup>3</sup> | 29yd <sup>3</sup> | 32yd <sup>3</sup> |
|------------------------------------------------------|-------------------|-------------------|-------------------|-------------------|
| A. Overall Length, Tailgate Closed (in.)             | 263               | 285               | 318               | 341               |
| Overall Width (in.)                                  | 102               | 102               | 102               | 102               |
| B. Overall Height Above Frame, Tailgate Closed (in.) | 93                | 93                | 93                | 93                |
| C. Overall Length, Tailgate Open (in.)               | 279               | 301               | 334               | 357               |
| D. Overall Height Above Frame, Tailgate Open (in.)   | 184               | 184               | 184               | 184               |

| <b>Performance Specs</b>                  | 2R-III Heavy Duty Residential | 2R-III Heavy Duty Demolition | 2R-III Heavy Duty Commercial |
|-------------------------------------------|-------------------------------|------------------------------|------------------------------|
| Packer/Carrier Cycle Time                 | 23-26 sec                     | 23-26 sec                    | 23-26 sec                    |
| Tailgate Open                             | 10 sec @ 700 rpm              | 10 sec @ 700 rpm             | 10 sec @ 700 rpm             |
| Tailgate Close (with Safety Flow limiter) | 30 sec @ 700 rpm              | 30 sec @ 700 rpm             | 30 sec @ 700 rpm             |



DRIVE EXCELLENCE